




## Landsail 4-seasons Van

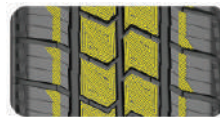
The Land Sail 4-seasons van is a technically advanced product. The unique tread design lets the tyre excel in all seasons.

The unique dual tread compound gives good grip in all conditions.

The tyre has the three peak mountain snowflake symbol, which qualifies it as an official winter tyre.

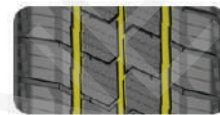
Size	XL	Load	Speed				
<b>75 Series</b>							
195 / 75 R16		107	R	C	C	2	72
205 / 75 R16		110	T	C	C	2	72
<b>70 Series</b>							
195 / 70 R15		104	R	C	C	2	72
225 / 70 R15		112	S	C	C	2	72
<b>65 Series</b>							
195 / 65 R16		104	R	C	C	2	72
205 / 65 R16		107	T	C	C	2	72
215 / 65 R16		109	T	C	C	2	72
225 / 65 R16		112	S	C	C	2	72
235 / 65 R16		115	R	C	C	2	72

Series	75, 70, 65
Rim inches	15, 16
Speed rate	
Typical vehicle matches	VW transporter, Toyota Hi ace, Mercedes-Benz Sprinter, Vito Citroen Jumper, Renault Master, Fiat Ducato, Ford Transit, Opel Movano



### Anti-slip micro groove

The special micro-grooves in the central area increase road contact, which makes for an excellent grip.



### longitudinal grooves

Three wide longitudinal grooves for efficient water drainage, prevents aquaplaning.



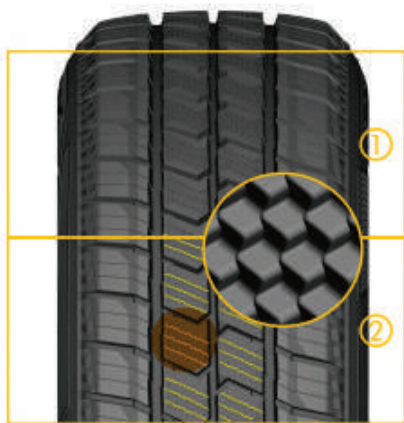
### Deep transverse grooves

Provide increased mileage.



### Block design

The solid blocks in the profile provide stability, control and safety.



- 1 Exclusive tread design**  
Provides grip in all 4 seasons
- 2 Wave sipes**  
Provides superior traction without sacrificing stability